

LINDENAU GmbH, Schiffswerft & Maschinenfabrik to Offer Floating Docks Worldwide

The construction of the floating dock ordered by the German Federal Ministry of Defence is proceeding continuously. The floating dock will be delivered to the customer during the summer period 2008.

The shipyard is able to offer a reproduction of this floating dock with a delivery date until the end of 2009.

The floating dock is characterized by technical particularities as follows:

1. Extensive automation for the docking procedure and for the operating equipment of the dock.
2. Two cranes with 7 t safe work load each and an outreach of 3 to 16 m.
3. Fire fighting system with isolated and heated piping.
4. Central supply of the dock with pressurized air, electricity and telecommunication.
5. Environmental protection is considered especially during the demurrage period of the dock. Surface water as rainwater or washing water can be distinguished by the operating methods "clean dock" or "dirty dock". This can be chosen manually by the crew.

The floating dock has the following data and characteristics:

Class: GL 100 A5 "Floating Dock 6.000 t"

Technical Data:

Length over all :	164,00 m
Breadth over all :	33,40 m
Clear inner dock width:	23,00 m
Draught above blocks:	7,50 m
Draught:	13,50 m
Lifting capacity:	6.000 t

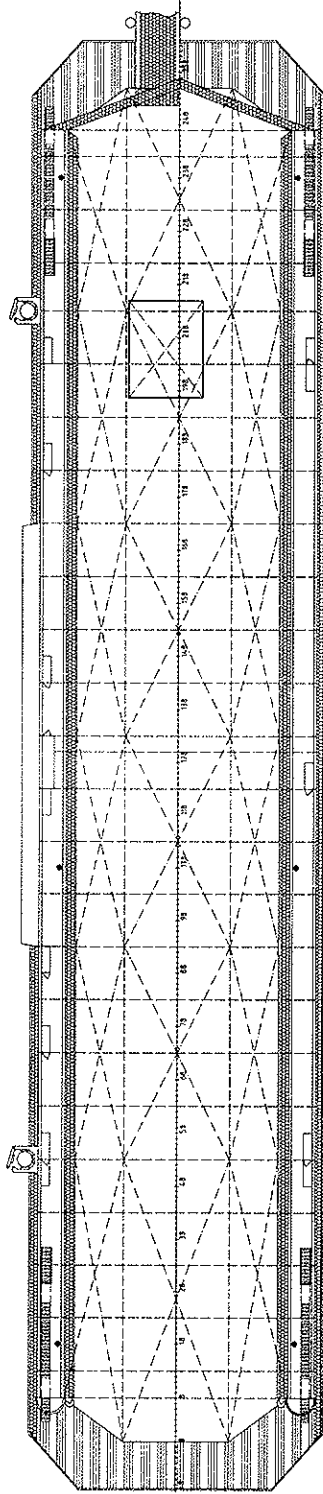
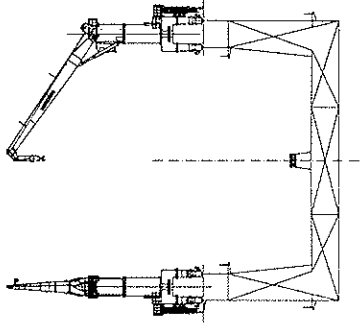
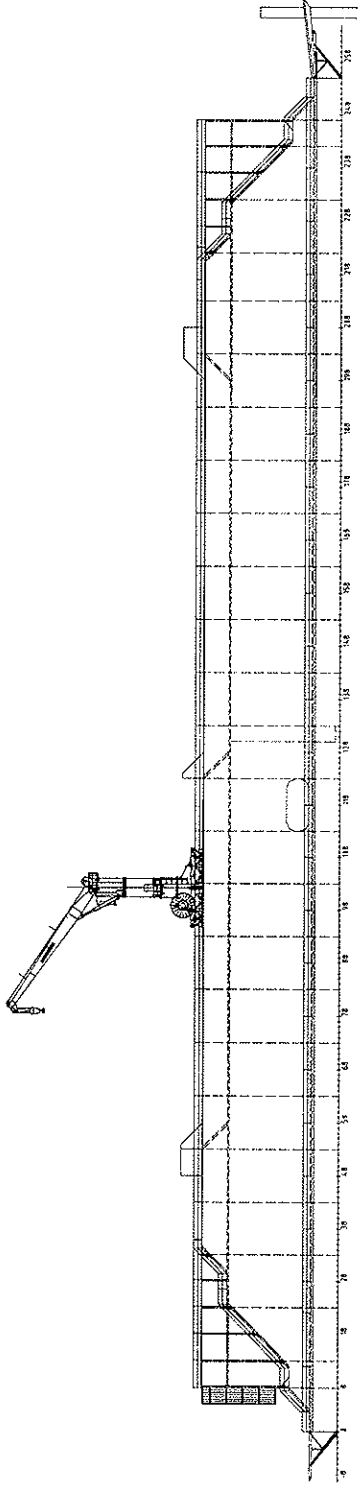
Kiel-Friedrichsort, January 14, 2008
D.Li/SG

LINDENAU GmbH,
Schiffswerft & Maschinenfabrik



Enclosure: Data Sheet

LINDENAU Dock 6.000
Repeat of NB S 279, 6.000 tdw



Yard
 Class

LINDENAU GmbH, Schiffswerft & Maschinenfabrik, Skagerrakufer 10, 24159 Kiel
 GL ✱ 100A5 Dock 6.000 t

Main dimensions

Length over all 164,00 m
 Breadth over all 33,40 m
 Draught max. 13,50 m
 Lifting capacity 6.000 t

Technical details

4 Ballast pumps for fast lowering and lifting
 2 Cranes
 Moonpool for special ships